

ADVERTISING RATES (GBP, excluding VAT)

FREQUENCY DISCOUNT		x1	x2	x4
BLACK AND WHITE	DPS	945	895	850
	Full page	525	500	475
	Outside back	525	500	475
	Inside front/back	525	500	475
	Facing lead	525	500	475
	Half page	290	275	260
	Quarter page	160	150	140
FOUR COLOUR	DPS	1785	1695	1605
	Full page	990	945	890
	Outside back	1020	970	925
	Inside front/back	1020	970	925
	Facing lead	1020	970	925
	Half page	560	535	535

Special positions: Cost available on request

Inserts: Accepted loose or bound-in by arrangement. Please call for specifications

Terms of payment: Net 30 days

Publication dates: March, June, September, December

Copy date: 20th of month before publication

Agency commission: 10%

Cancellation policy: Cancellation accepted up to 6 weeks prior to publication

Advertising & Sales, Supplements & Reprints

Gail Ryan PCRS-UK, Smithy House, Waterbeck, Lockerbie, DG11 3EY

Tel: +44 (0)121 629 7741; Fax: +44 (0)121 336 1914; Email: gailryan@redhotirons.com

Educational Programmes & Special Projects

Anne Smith c/o PCRS-UK, Smithy House, Waterbeck, Lockerbie, DG11 3EY

Tel: +44 (0)121 629 7741; Fax: +44 (0)121 336 1914; Email: info@pcrs-uk.org

ALL ADVERTISEMENT COPY SHOULD BE SENT TO THE PCRS-UK:

PCRS-UK, Smithy House, Waterbeck, Lockerbie, DG11 3EY

Tel: +44 (0)121 629 7741; Fax: +44 (0)121 336 1914; Email: gailryan@redhotirons.com

The Primary Care Respiratory Society UK (PCRS-UK) formerly known as the General Practice Airways Group (GPIAG) is a registered charity (Charity Number 1098117) and a company limited by guarantee (Company Number 4298947) registered in the UK.

VAT registration number 866 1543 09. Registered Offices: 2 Wellington Place, Leeds, LS1 4AP

RATE CARD (Effective January 2011)

- The **ONLY** fully indexed, international academic journal specifically devoted to the management of respiratory diseases in primary care
- Indexed on **PubMed/MEDLINE**, SCOPUS, Embase/Excerpta Medica, SCImago and the National Library for Health
- Official journal
- Published quarterly, with **FREE, UNRESTRICTED ONLINE ACCESS** to full contents



EDITORIAL

Editors-in-Chief: Professor Aziz Sheikh
University of Edinburgh,
Scotland, UK

Dr Paul Stephenson
The Christmas Maltings and
Clements Practice,
Haverhill, UK

Assistant Editors: Professor Chris Griffiths
Queen Mary's School of Medicine
and Dentistry,
London, UK

Professor Onno Van Schayck
Maastricht University,
Maastricht,
The Netherlands

CONTENT

- The *PCRJ* is a peer-reviewed, primary care journal publishing original research manuscripts, short preliminary reports, reviews, discussion papers, editorials, personal opinions, case histories and letters relating to all aspects of common respiratory conditions and allergy.
- The journal also publishes news and articles concerning the policies and activities of the Primary Care Respiratory Society (PCRS-UK), the International Primary Care Respiratory Group (IPCRG), and related organisations worldwide.

PUBLISHING OPPORTUNITIES

• Supplements and special reviews

We publish supplements with the journal. Consider publishing specially commissioned reviews on the proceedings of meetings or satellite symposia. Full content of supplements will be published online free-of-charge.

• Roundtables and workshops

The *PCRJ* will consider proposals for the organisation of roundtables and workshops which will subsequently be published as supplements or meeting reports.

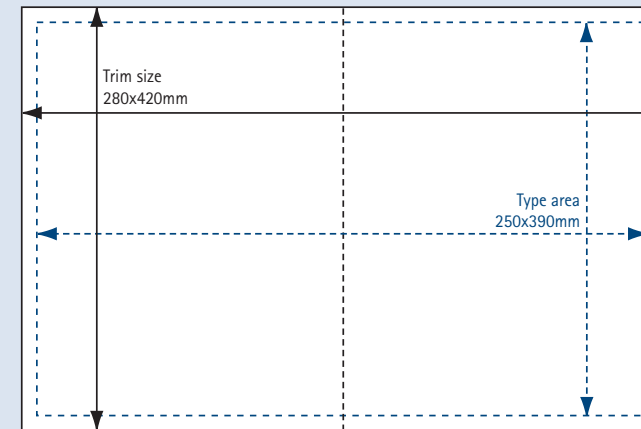
• Competitively priced preprints and reprints

The *PCRJ* offers the opportunity to order competitively priced preprints and reprints of papers and supplements.

Copyright licenses are also available with translation into other languages.

MECHANICAL DATA

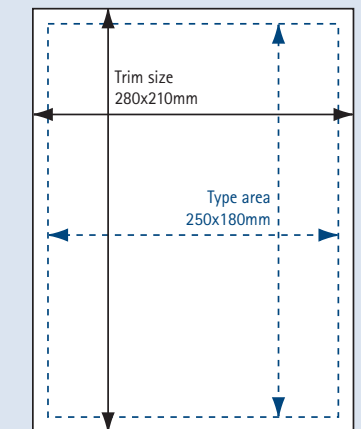
DOUBLE PAGE SPREAD (only accepted if supplied as 2 single pages)



Bleed 286x436mm Gutter bleed 3mm either side
Double page spreads only accepted if supplied as 2 single pages (see diagram above)
Binding rules: Please ensure there are no individual words, logos or detailed images running over the spine. Minimum size for text running page to page is 24 pt.

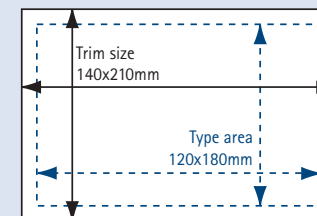
IFC position: Production office MUST be contacted prior to copy submission.
Email: helenmcd@redhotirons.com Tel: +44 (0)121 629 7741

FULL PAGE



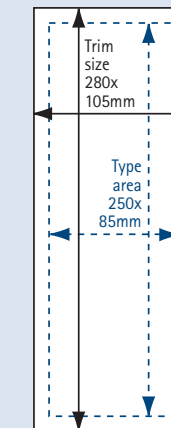
Bleed 286x216mm

HALF PAGE HORIZONTAL



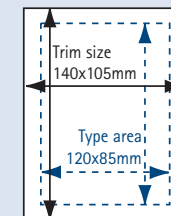
Bleed 143x213mm
add on extra 3mm if bled into spine

HALF PAGE VERTICAL



Bleed 286x105mm
add on extra 3mm left hand side if bled into spine or right hand side if bled on fore-edge

QUARTER PAGE



Bleed 143x108mm
add on extra 3mm if bled into spine

- Artwork to be supplied on email or CD as follows:

PCRS-UK ONLY ACCEPT THE ADOBE PDF FORMAT

Details on how to set-up your PDF file can be obtained from:

1. PASS 4 PRESS - The UK standard
<http://www.pass4press.com>
2. OUR PRINTERS WEB-SITE
<http://www.stephensandgeorge.co.uk>

Both sites contain configuration settings for QuarkXpress/ InDesign and Adobe Acrobat 4 and above. Please do not send PDFs which have NOT been created from Acrobat Distiller unless you have arranged this in advance.

It is recommended you pre-flight check your PDF prior to submission.

If you have any technical queries in relation to the above then please contact production on +44 (0)121 629 7741.

Alternatively you can contact the pre-press department at our printers on +44 (0)1685 388888 to obtain more specialised information on the PDF format.

- PDFs supplied via email: Advert/product name and full copy instruction MUST be included in the email.
- Proofs: Colour hard copy of the latest version of the advert MUST be supplied with the advertisement, along with full copy instruction. For artwork supplied by email, colour proofs should follow immediately by post.
- Binding: Perfect bound.
- Printing process: Sheetfed offset litho.